

**Test Suite for the
CAE Implementor Forum
Round 5S**

September-December 2019

Release 1.0

September 4, 2019

Contacts

Jochen Boy
PROSTEP AG
Dolivostraße 11
64293 Darmstadt / Germany
jochen.boy@prostep.com

Jean-Marc Crepel
AFNeT
30, Rue de Miromesnil
75008 Paris / France
jean-marc.crepel@afnet.fr

Phil Rosché
ACCR, LLC.
125 King Charles Circle
Summerville, SC 29485 USA
phil.rosche@accr-llc.com

Table of Contents

| | | |
|----------|---|----------|
| 1 | Introduction..... | 3 |
| 1.1 | Functionality tested in this round | 3 |
| 1.2 | General testing instructions for this round..... | 3 |
| 1.3 | Testing Schedule..... | 4 |
| 1.4 | Copyrights on Test Cases | 5 |
| 2 | Synthetic Test Case Specifications | 6 |
| 2.1 | Test Case ATS1: beam FEA model using rod elements | 6 |
| 2.2 | Test Case ATS2: beam FEA model using bar elements | 9 |
| 2.3 | Test Case ATS3: beam FEA model using shell elements | 12 |
| 2.4 | Test Case ATS4: beam FEA model using solid elements | 15 |

List of Figures

| | | |
|-----------|--|----|
| Figure 1: | FEA Validation Properties..... | 3 |
| Figure 2: | Statistics related to Validation Properties..... | 4 |
| Figure 3: | CAE-IF Round5S Schedule | 5 |
| Figure 4: | ATS1 model overview..... | 7 |
| Figure 5: | ATS2 model overview..... | 10 |
| Figure 6: | ATS3 model overview..... | 13 |
| Figure 7: | ATS4 model overview..... | 17 |

Document History

| Release | Date | Change |
|---------|-----------------|---------------------|
| 0.1 | August 30, 2019 | First draft for R5S |
| | | |
| | | |
| | | |

1 Introduction

This document describes the suite of test cases to be used for the test round R5S of the CAE Implementor Forum (CAE-IF). The CAE-IF is a workgroup in the CAx Implementor Forum (CAx-IF), a joint testing forum, organized and facilitated by AFNeT, PDES, Inc., and the prostep ivip Association. The test rounds of the CAE-IF concentrate primarily on testing the interoperability and compliance of STEP processors based on AP209ed2.

The test rounds in general combine testing of synthetic and production models. Production models will in most cases be provided by the member companies of the organizations ANFeT, PDES, Inc., and prostep ivip Association. When production models are not available from the member companies, “production-like” models will be solicited from the various CAE-IF participants.

This test suite includes synthetic models for testing the following capabilities: export /import Input FEA models for 3D Linear Static Structural Finite Element Analysis using simple models. More complex models, including production models and dynamic analysis, will be introduced later

1.1 Functionality tested in this round

The main objective of the R5S test round is to check the implementation of the Structural FEA validation properties (FEA VP) -load case level- during an exchange using STEP AP209ed2 translators. Some of the FEA VP –model level- which were not successfully tested in the R4S test round have been kept.

The FEA validation properties are characteristic values of a finite element analysis and are assigned during the export process inside the STEP file with a specific format described in the corresponding “Recommended Practices” document. During the import process, the validation properties are read and compared with the re-calculated values from the STEP file (see Figure 1). They should be used to validate the success of the exchange process.

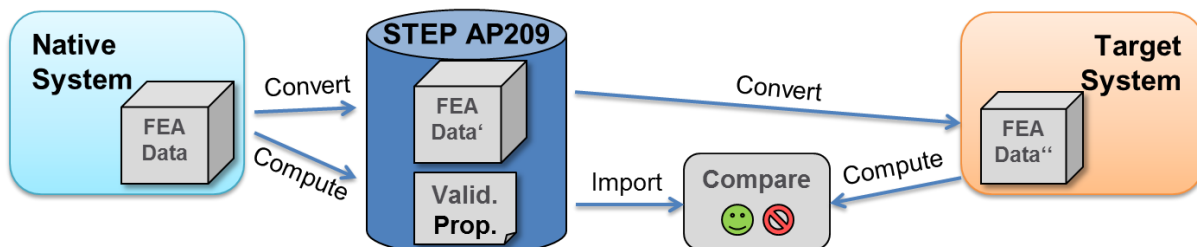


Figure 1: FEA Validation Properties

1.2 General testing instructions for this round

The general procedures for communication of models and statistics are outlined in a separate document, named ‘General Testing Instructions’. The document can be retrieved from the CAx Implementor Forum web sites. The latest version is v1.13, dated Sept 29, 2017.

Therefore, the “native statistics” and “target statistics” will be submitted to the CAESAR system according to the regular process described in the ‘General Testing Instructions’. Specific statistics will be used to check if the validation properties value assigned in the STEP file are equal to the calculated values.

When reporting statistics related to validation properties in the CAESAR system (see Figure 2) :

- The corresponding “native Val Prop. statistics” value should be set to the value assigned in the STEP file if the validation property is implemented in the STEP file, or “na” otherwise;
- The corresponding “target Val Prop. statistics” value should be the value read from the STEP file. It will be compared to the corresponding “target statistics” recalculated value.

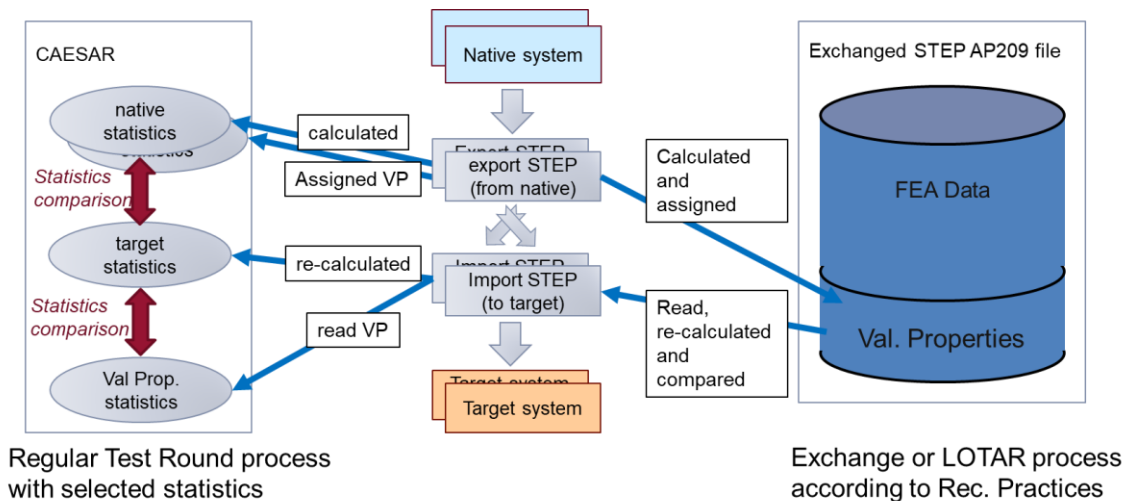


Figure 2: Statistics related to Validation Properties

Key issues should be reported using the BRUTUS system (see ‘General Testing Instructions’). Native FEA Model use NASTRAN card descriptions. Documentation of NASTRAN input syntax is available in the “NASTRAN quick reference guide”, which can be download from the MSC homepage at:

- https://simcompanion.mscsoftware.com/infocenter/index?page=content&id=DOC11146&cat=MSC_NASTRAN_DOCUMENTATION_2017&actp=LIST

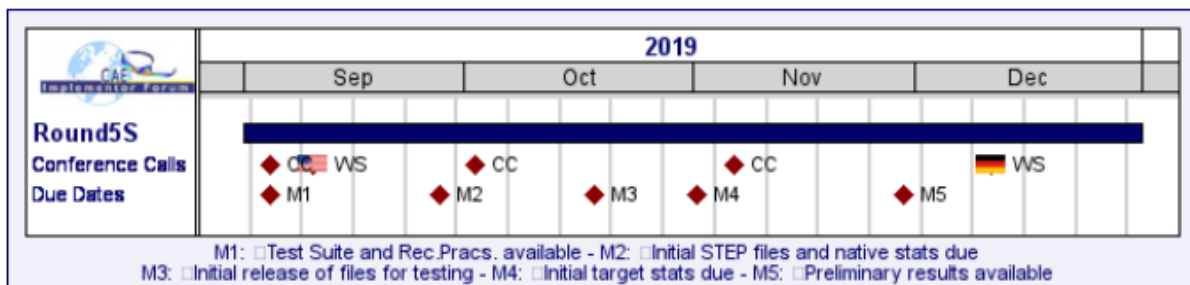
Original FEA model of each test case is available in the xx.bdf file.

Note: CAE models are generally “unit consistent models”. This means there is no need for data conversion. Participants are requested to keep the original unit system unchanged and to deliver results and statistics using the same unit system as the native models. Nevertheless, **the units’ definition shall be included in the STEP file**, as stated in the recommended practices.

The validation properties shall be assigned in the native STEP file as described in the “Recommended Practices for Structural FEA validation properties” (v0.7 or higher).

1.3 Testing Schedule

The following schedule has been agreed on for Round 5S:



| Date | Action |
|------------------|---|
| 2019-09-04 (Wed) | •Test Suite and Rec.Pracs. available / kickoff meeting |
| 2019-09-10 (Tue) | kickoff summary review in Atlanta, USA |
| 2019-09-27 (Fri) | •Initial STEP files and native stats due |
| 2019-10-02 (Wed) | •Initial STEP files and native stats review |
| 2019-10-18 (Fri) | •Initial release of files for testing |
| 2019-11-01 (Fri) | •Initial target stats due |
| 2019-11-06 (Wed) | •Initial target stats review |
| 2019-11-29 (Fri) | •Preliminary results available |
| 2019-12-11 (Wed) | CAx-IF Round5S Review Meeting in Darmstadt, Germany |

Figure 3: CAE-IF Round5S Schedule

The CAE-IF Round 5S Kickoff meeting will be held by confcall before the PDES, Inc. Fall Offsite meeting and LOTAR workshop. Therefore, a session will be dedicated to R5S during the Fall Offsite meeting to discuss any feedback. Conference calls and web sessions will also be available for those not attending the meeting to dial in.

The CAE-IF Round5S Review meeting will take place in conjunction with a LOTAR meeting in Darmstadt. In addition, conference calls and web sessions will be organized during the test round.

1.4 Copyrights on Test Cases

1.4.1 CAE-IF

None of the production test cases which were provided by the AFNeT, PDES, Inc. and prostep ivip member companies may be publicly released for any purpose. The test cases can be freely distributed among the CAE-IF members, and can be used for any purposes that are related to CAE-IF testing (i.e. testing, documentation of testing efforts, etc.), as long as a reference to the originating company is made.

The test cases must not be used for any purposes other than CAE-IF testing or outside of ANFeT, PDES, Inc. and prostep ivip. Test cases provided by the LOTAR project for testing of specific capabilities are applicable to the same restrictions and may not be used outside LOTAR or the CAE-IF.

2 Synthetic Test Case Specifications

2.1 Test Case ATS1: beam FEA model using rod elements

All information about this test case can also be viewed in CAESAR on its Information page.

2.1.1 Motivation

This test case is part of the simple ATSx series models focusing on elementary CAE functionalities. The ATS1 test represents a beam using “rod” elements only, with one lumped force applied.

Within the CAE domain, the following functionalities are in scope of Round 5S:

- Export/import input data of 3D FEA models with
 - 1D elements (rod elements), linear order,
 - Lumped force and fixed boundary conditions
 - Execution control statements
- Assignment of Structural FEA validation properties, typically :
 - 1D size and centroid of the model,
 - total mass,
 - number of fixed DOF,
 - resultant of applied forces,
 - resultant moment of applied forces at a reference point.

2.1.2 Approach

The approach to be used is described in the latest version of the following documents:

- “Recommended Practices for AP 209 ed2” (at least version 2.0, dated March 30, 2016)
- “AP 209 ed2 Linear Static Structural FEA Handbook” vol.1 - (at least version v 2.2, dated May 16, 2018)
- “AP 209 ed2 Linear Static Structural FEA Handbook” vol.2 - (v 1.1, dated March 25, 2019).
- “Recommended Practices for Structural FEA validation properties (v 0.7).
For the test round 5S, the assignment of validation properties is mainly focused on “load case level validation properties”.

These documents can be found either in the public area of the CAx-IF website under “Joint Testing Information” or in the member area of the CAx-IF website under “Information on round 5S of testing”.

The AP 209 schema to be used is an extended version of the AP 209 ed2 schema which can be found in the member area of the CAx-IF website, under “**Information on Round 5S** of Testing”.

2.1.3 Testing Instructions

The tests will be performed based on the ATS1m5 NASTRAN model described below. This model has been developed by the LOTAR EAS Working Group, and has been checked during previous pilot studies.

2.1.3.1 Test Model Overview

The ATS1m5 model represents a beam (rectangular prism) idealized using “rod” elements (axial stiffness element, no torsional stiffness), with the following characteristics:

- Isotropic material property
- 1000 lbf axial load in compressive (-x) direction
- Rectangular coordinate system at origin with model at [0, -2, 1]

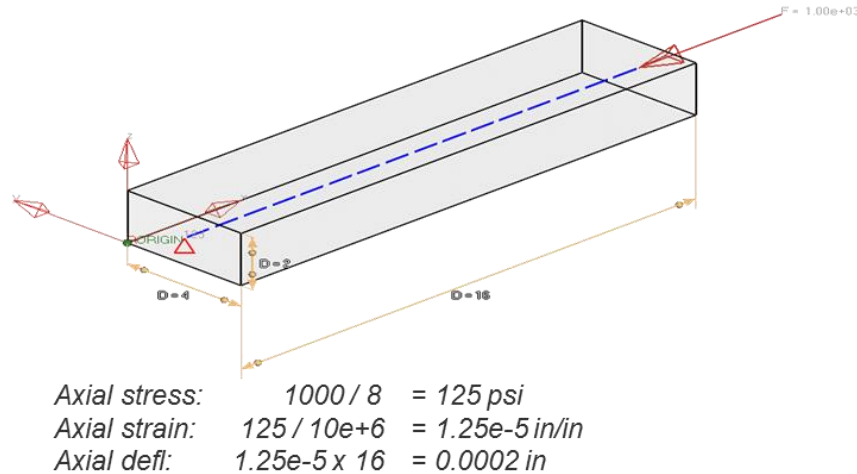


Figure 4: ATS1 model overview

2.1.3.2 Test Model Access

The original NASTRAN files can be downloaded from the member area of the CAx-IF homepages under “General Information – File repository” in the folder “CAE / ATSx simple test suite”:

- ATS1m5.bdf (input data)

2.1.3.3 Test Model Configuration

The following functionality shall be included in the test files provided for this round of testing, as far as it has been implemented by the CAE-IF participants and is described in the Recommended Practices:

- Validation Properties – All participants providing STEP files for this test case should include newly defined FEA validation properties as described in the “Recommended Practices for Structural FEA validation properties” (v 0.7).

2.1.4 Statistics

For each STEP file exported or imported for the ATS1 test case, participants must submit the corresponding statistics to CAESAR. To do so, go to the [ATS1 Data Sheet], and either fill in the web form, or upload a comma-delimited file (.csv) with the data as listed below.

Native Statistics

When exporting a STEP file, report what data importing systems should expect to find. For numeric statistics, enter the respective value or 'na' if not supported. For other statistics, select either 'full support' (i.e. test case and Rec. Pracs. definitions are fulfilled), 'limited support' (meaning the implementation does not meet all criteria and issues may be expected on import), or 'na' if not supported.

Target Statistics

When importing a STEP file, report the results found after processing the file as described below. The value should be given in the unit implicitly defined in the native model.

Load Case Selection

Some of the statistics for this test case are load case-related (fixed DOF, applied force, applied moment). When statistics depend on the load case and/or node selection, the item(s) to be considered is indicated in the following table:

| Statistic | Case 'A' |
|----------------|---|
| Fixed DOF nb | Load case #1 |
| Applied force | Load case #1 |
| Applied moment | Load case #1 Reference point at origin (0,0,0) |

Applicable Units and Coordinate system

The model is based on imperial units (in, lbf).

Components of any point (such as Center of Gravity) or vector (such as resultant of applied loads) should be calculated in the basic coordinate system.

Screenshots (optional)

Note that CASEAR allows the addition of multiple screenshots per dataset.

Data Sheet Columns

| column name | description |
|-------------------------------|---|
| model | The name of the test model, here 'ATS1' |
| system_n | The system code of the CAE system creating the STEP file |
| system_t | The system code of the CAE system importing the STEP file. For native stats, select 'stp' |
| unit | The unit the model is designed in |
| 1d_model_size | Cumulated length of 1D elements |
| validation_1d_size | 1D Model Size as received via the validation property capability |
| 1d_elts_centroidx | Center point of the volume defined by all 1D elements in the file |
| 1d_elts_centroidy | |
| 1d_elts_centroidz | |
| validation_1d_cx | 1D elts centroid as received via the validation property capability |
| validation_1d_cy | |
| validation_1d_cz | |
| total_mass | Total mass of the model. The value shall be given in the unit implicitly defined in the native model. |
| validation_total_mass | Total Mass as received via the validation property capability |
| fixed_dof_nb_a | Total number of fixed Degrees of freedom (DOF) - case A |
| validation_fixed_dof_a | Fixed Deg. of freedom -A as received via the validation property capability |
| applied_forcex | Resultant of applied forces -- case 'A' |
| applied_forcey | |
| applied_forcez | |
| validation_force_ax | Applied Force A as received via the validation property capability |
| validation_force_ay | |
| validation_force_az | |
| ref_pt_mom_ax | Reference point as assigned for / as received from / the Validation Property Moment of applied forces -- case 'A' |
| ref_pt_mom_ay | |
| ref_pt_mom_az | |
| applied_momentx | Resultant moment at a reference point of total applied forces -- case 'A' |
| applied_momenty | |
| applied_momentz | |
| validation_moment_ax | Applied Moment A as received via the validation property capability |
| validation_moment_ay | |
| validation_moment_az | |
| date | The date when the statistics were last updated (will be filled in automatically) |
| issues | A short statement on issues with the file |

2.2 Test Case ATS2: beam FEA model using bar elements

2.2.1 Motivation

All information about this test case can also be viewed in CAESAR on its Information page.

This test case is part of the simple ATSx series models focusing on elementary CAE functionalities. The ATS2 test represents a cantilever beam using “bar” elements only, with different combinations of lumped forces applied.

Within the CAE domain, the following functionalities are in scope of Round 5S:

- Export/import input data of 3D FEA models with
 - 1D elements (bar elements), linear order,
 - Lumped force and fixed boundary conditions
 - Execution control statements
- Assignment of Structural FEA validation properties, typically :
 - FEA bounding box,
 - total mass,
 - number of load cases,
 - number of fixed DOF,
 - resultant of applied forces,
 - resultant moment of applied forces at a reference point.

2.2.2 Approach

The approach to be used is described in the latest version of the following documents:

- “Recommended Practices for AP 209 ed2” (at least version 2.0, dated March 30, 2016)
- “AP 209 ed2 Linear Static Structural FEA Handbook” vol.1 - (at least version v 2.2, dated May 16, 2018)
- “AP 209 ed2 Linear Static Structural FEA Handbook” vol. 2 - (v 1.1, dated March 25, 2019).
- “Recommended Practices for Structural FEA validation properties (v 0.7)
For the test round 5S, the assignment of validation properties is mainly focused on “load case level validation properties”.

These documents can be found either in the public area of the CAx-IF website under “Joint Testing Information” or in the member area of the CAx-IF website under “Information on round 5S of testing”.

The AP 209 schema to be used is an extended version of the AP 209 ed2 schema, which can be found in the member area of the CAx-IF website, under “**Information on Round 5S** of Testing”.

2.2.3 Testing Instructions

The tests will be performed based on the ATS2m5 NASTRAN model described below. This model has been developed by the LOTAR EAS Working Group, and has been checked during previous pilot studies.

2.2.3.1 Test Model Overview

The ATS2m5 model represents a beam (rectangular prism) idealized using “bar” elements (axial and bending stiffness element, no torsional stiffness), with the following characteristics:

- Isotropic material property

- 3 load cases:
 1. axial load in compressive (-x) direction
 2. lateral distributed load in bending (-y) direction
 3. combination of 1 + 2

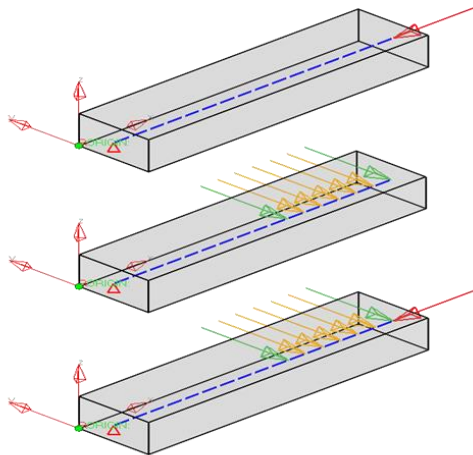


Figure 5: ATS2 model overview

2.2.3.2 Test Model Access.

The original NASTRAN files can be downloaded from the member area of the CAx-IF homepage under “General Information – File repository” in the folder “CAE / ATSx simple test suite”:

- ATS2m5.bdf (input data)

2.2.3.3 Test Model Configuration

- See section 2.1.3.3 above.

2.2.4 Statistics

For each STEP file exported or imported for the ATS2 test case, participants must submit the corresponding statistics to CAESAR. To do so, go to the [ATS2 Data Sheet], and either fill in the web form, or upload a comma-delimited file (.csv) with the data as listed below.

Native Statistics

When exporting a STEP file, report what data importing systems should expect to find. For numeric statistics, enter the respective value or 'na' if not supported. For other statistics, select either 'full support' (i.e. test case and Rec. Pracs. definitions are fulfilled), 'limited support' (meaning the implementation does not meet all criteria and issues may be expected on import), or 'na' if not supported.

Target Statistics

When importing a STEP file, report the results found after processing the file as described in the table below. The value should be given in the unit implicitly defined in the native model.

Load Case Selection

Some of the statistics for this test case are load case- related (fixed DOF, applied force, applied moment). When statistics depend on the load case and/or node selection, the item(s) to be considered is indicated in the following table:

| Statistic | Case 'A' | Case 'B' |
|----------------|--|--|
| Fixed DOF nb | Loadcase #1 | Loadcase #3 |
| Applied force | Loadcase #1 | Loadcase #3 |
| Applied moment | Loadcase #1 Reference point (0,0,0) | Loadcase #3 Reference point (16,-2,1) |

Applicable Units and Coordinate system

The model is based on imperial units (in, lbf).

Components of any point (such as Center of Gravity) or vector (such as resultant of applied loads) should be calculated in the basic coordinate system.

Screenshots(optional)

Note that CASEAR allows the addition of multiple screenshots per dataset.

Data Sheet Columns

| column name | description |
|-------------------------------|---|
| model | The name of the test model, here 'ATS2' |
| system_n | The system code of the CAE system creating the STEP file |
| system_t | The system code of the CAE system importing the STEP file. For native stats, select 'stp' |
| unit | The unit the model is designed in |
| fea_bbox_minx | The (min X, min Y, min Z) corner point of the Bounding Box relative to the grid points |
| fea_bbox_miny | |
| fea_bbox_minz | |
| validation_fea_bb_minx | FEA BBox Min Point as received via the validation property capability |
| validation_fea_bb_miny | |
| validation_fea_bb_minz | |
| fea_bbox_maxx | The (max X, max Y, max Z) corner point of the Bounding Box relative to the grid points |
| fea_bbox_maxy | |
| fea_bbox_maxz | |
| validation_fea_bb_maxx | FEA BBox Max Point as received via the validation property capability |
| validation_fea_bb_maxy | |
| validation_fea_bb_maxz | |
| total_mass | Total mass of the model. The value shall be given in the unit implicitly defined in the native model. |
| validation_total_mass | Total Mass as received via the validation property capability |
| loadcases_nb | Number of different load cases |
| validation_loads_nb | Number of Load Cases as received via the validation property capability |
| fixed_dof_nb_a | Total number of fixed Degrees of freedom (DOF) - case A |
| validation_fixed_dof_a | Fixed Deg. of freedom -A as received via the validation property capability |
| applied_forcex | Resultant of applied forces -- case 'A' |
| applied_forcey | |
| applied_forcez | |
| validation_force_ax | Applied Force A as received via the validation property capability |
| validation_force_ay | |
| validation_force_az | |
| applied_force_bx | Resultant of applied forces -- case 'B' |
| applied_force_by | |
| applied_force_bz | |
| validation_force_bx | Applied Force B as received via the validation property capability |
| validation_force_by | |
| validation_force_bz | |

| | |
|-----------------------------|---|
| ref_pt_mom_ax | Reference point as assigned for / as received from / the Validation Property Moment of applied forces -- case 'A' |
| ref_pt_mom_ay | |
| ref_pt_mom_az | |
| applied_momentx | Resultant moment at a reference point of total applied forces -- case 'A' |
| applied_momenty | |
| applied_momentz | |
| validation_moment_ax | Applied Moment A as received via the validation property capability |
| validation_moment_ay | |
| validation_moment_az | |
| ref_pt_mom_bx | Reference point as assigned for / as received from / the Validation Property Moment of applied forces -- case 'B' |
| ref_pt_mom_by | |
| ref_pt_mom_bz | |
| applied_moment_bx | Resultant moment at a reference point of total applied forces -- case 'B' |
| applied_moment_by | |
| applied_moment_bz | |
| validation_moment_bx | Applied Moment B as received via the validation property capability |
| validation_moment_by | |
| validation_moment_bz | |
| date | The date when the statistics were last updated (will be filled in automatically) |
| issues | A short statement on issues with the file |

2.3 Test Case ATS3: beam FEA model using shell elements

All information about this test case can also be viewed in CAESAR on its Information page.

2.3.1 Motivation

This test case is part of the simple ATSx series models focusing on elementary CAE functionalities. The ATS3 test represents a cantilever beam using “shell” elements only, with additional boundary conditions and combinations of lumped and distributed (pressure) applied loads.

Within the CAE domain, the following functionalities are in scope of Round 5S:

- Export/import input data of 3D FEA models with
 - 2D elements (shell elements),
 - Lumped and distributed forces, with fixed boundary conditions
 - Execution control statements
- Assignment of Structural FEA validation properties, typically :
 - FEA bounding box,
 - total mass,
 - number of load cases,
 - number of fixed DOF,
 - resultant of applied forces,
 - resultant moment of applied forces at a reference point.

2.3.2 Approach

The approach to be used is described in the latest version of the following documents:

- “Recommended Practices for AP 209 ed2” (at least version 2.0, dated March 30, 2016)
- “AP 209 ed2 Linear Static Structural FEA Handbook” vol.1 - (at least version v 2.2, dated May 16, 2018)

- “AP 209 ed2 Linear Static Structural FEA Handbook” vol. 2 - (v 1.1, dated March 25, 2019).
- “Recommended Practices for Structural FEA validation properties (v 0.7)
For the test round 5S, the assignment of validation properties is mainly focused on “load case level validation properties”.

These documents can be found either in the public area of the CAx-IF website under “Joint Testing Information” or in the member area of the CAx-IF website under “Information on round 5S of testing”.

The AP 209 schema to be used is an extended version of the AP 209 ed2 schema, which can be found in the member area of the CAx-IF website, under “**Information on Round 5S** of Testing”.

2.3.3 Testing Instructions

The tests will be performed based on the ATS3m5 NASTRAN model described below. This model has been developed by the LOTAR EAS Working Group, and has been checked during previous pilot studies.

2.3.3.1 Test Model Overview

The ATS3m5 model represents a beam (rectangular prism) idealized using “shell” elements (membrane and bending stiffness element), with the following characteristics:

- Isotropic material property
- 4 load cases:
 1. axial distributed load in compressive (-x) direction
 2. lateral distributed load in bending (-y) direction
 3. combination of 1 + 2
 4. normal distributed load in bending (-z) direction

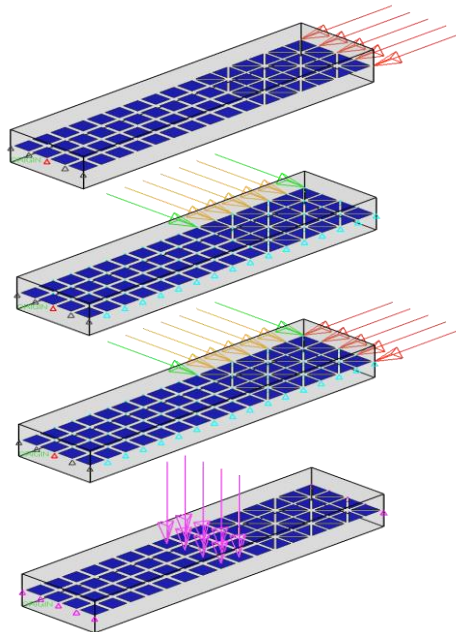


Figure 6: ATS3 model overview

2.3.3.2 Test Model Access.

The original NASTRAN files can be downloaded from the member area of the CAx-IF homepages under “General Information – File repository” in the folder “CAE / ATSx simple test suite”:

- ATS3m5.bdf (input data)

2.3.3.3 Test Model Configuration

- See section 2.1.3.3 above.

2.3.4 Statistics

For each STEP file exported or imported for the ATS3 test case, participants must submit the corresponding statistics to CAESAR. To do so, go to the [ATS3 Data Sheet], and either fill in the web form, or upload a comma-delimited file (.csv) with the data as listed below.

Native Statistics

When exporting a STEP file, report what data importing systems should expect to find. For numeric statistics, enter the respective value or 'na' if not supported. For other statistics, select either 'full support' (i.e. test case and Rec. Pracs. definitions are fulfilled), 'limited support' (meaning the implementation does not meet all criteria and issues may be expected on import), or 'na' if not supported.

Target Statistics

When importing a STEP file, report the results found after processing the file as described in the table below. The value should be given in the unit implicitly defined in the native model.

Load Cases Selection

Some of the statistics for this test case are load case-related (fixed DOF, applied force, applied moment). When statistics depend on the load case and/or node selection, the item(s) to be considered is indicated in the following table:

| Statistic | Case 'A' | Case 'B' |
|----------------|--|--|
| Fixed DOF nb | Loadcase #3 | Loadcase #4 |
| Applied force | Loadcase #3 | Loadcase #4 |
| Applied moment | Loadcase #3 Reference point (0,0,0) | Loadcase #4 Reference point (16,-2,1) |

Applicable Units and Coordinate system

The model is based on imperial units (in, lbf).

Components of any point (such as Center of Gravity) or vector (such as resultant of applied loads) should be calculated in the basic coordinate system.

Screenshots(optional)

Note that CASEAR allows the addition of multiple screenshots per dataset.

Data Sheet Columns

| column name | description |
|-------------------------------|---|
| model | The name of the test model, here 'ATS3' |
| system_n | The system code of the CAE system creating the STEP file |
| system_t | The system code of the CAE system importing the STEP file. For native stats, select 'stp' |
| unit | The unit the model is designed in |
| fea_bbox_minx | The (min X, min Y, min Z) corner point of the Bounding Box relative to the grid points |
| fea_bbox_miny | |
| fea_bbox_minz | |
| validation_fea_bb_minx | FEA BBox Min Point as received via the validation property capability |
| validation_fea_bb_miny | |
| validation_fea_bb_minz | |
| fea_bbox_maxx | The (max X, max Y, max Z) corner point of the Bounding Box relative to the grid points |
| fea_bbox_maxy | |

| | |
|-------------------------------|---|
| fea_bbox_maxz | |
| validation_fea_bb_maxx | FEA BBox Max Point as received via the validation property capability |
| validation_fea_bb_maxy | |
| validation_fea_bb_maxz | |
| total_mass | Total mass of the model. The value shall be given in the unit implicitly defined in the native model. |
| validation_total_mass | Total Mass as received via the validation property capability |
| loadcases_nb | Number of different load cases |
| validation_loads_nb | Number of Load Cases as received via the validation property capability |
| fixed_dof_nb_a | Total number of fixed Degrees of freedom (DOF) - case A |
| validation_fixed_dof_a | Fixed Deg. of freedom -A as received via the validation property capability |
| fixed_dof_nb_b | Total number of fixed Degrees of freedom (DOF) - case B |
| validation_fixed_dof_b | Fixed Deg. of freedom -B as received via the validation property capability |
| applied_forcex | Resultant of applied forces -- case 'A' |
| applied_forcey | |
| applied_forcez | |
| validation_force_ax | Applied Force A as received via the validation property capability |
| validation_force_ay | |
| validation_force_az | |
| applied_force_bx | Resultant of applied forces -- case 'B' |
| applied_force_by | |
| applied_force_bz | |
| validation_force_bx | Applied Force B as received via the validation property capability |
| validation_force_by | |
| validation_force_bz | |
| ref_pt_mom_ax | Reference point as assigned for / as received from / the Validation Property Moment of applied forces -- case 'A' |
| ref_pt_mom_ay | |
| ref_pt_mom_az | |
| applied_momentx | Resultant moment at a reference point of total applied forces -- case 'A' |
| applied_momenty | |
| applied_momentz | |
| validation_moment_ax | Applied Moment A as received via the validation property capability |
| validation_moment_ay | |
| validation_moment_az | |
| ref_pt_mom_bx | Reference point as assigned for / as received from / the Validation Property Moment of applied forces -- case 'B' |
| ref_pt_mom_by | |
| ref_pt_mom_bz | |
| applied_moment_bx | Resultant moment at a reference point of total applied forces -- case 'B' |
| applied_moment_by | |
| applied_moment_bz | |
| validation_moment_bx | Applied Moment B as received via the validation property capability |
| validation_moment_by | |
| validation_moment_bz | |
| date | The date when the statistics were last updated (will be filled in automatically) |
| issues | A short statement on issues with the file |

2.4 Test Case ATS4: beam FEA model using solid elements

All information about this test case can also be viewed in CAESAR on its Information page.

2.4.1 Motivation

This test case is part of the simple ATSx series models focusing on elementary CAE functionalities. The ATS4 test represents a cantilever beam using different “solid” elements, with combinations of lumped applied forces.

Within the CAE domain, the following functionalities are in scope of Round 5S:

- Export/import input data of 3D FEA models with

- 3D elements (solid elements), linear order,
- Combination of lumped forces and fixed boundary conditions
- Execution control statements
- Assignment of Structural FEA validation properties, typically :
 - FEA bounding box,
 - total mass,
 - number of load cases,
 - number of fixed DOF,
 - resultant of applied forces,
 - resultant moment of applied forces at a reference point.

2.4.2 Approach

The approach to be used is described in the latest version of the following documents:

- “Recommended Practices for AP 209 ed2” (at least version 2.0, dated March 30, 2016)
- “AP 209 ed2 Linear Static Structural FEA Handbook” vol.1 - (at least version v 2.2, dated May 16, 2018)
- “AP 209 ed2 Linear Static Structural FEA Handbook” vol. 2 - (v 1.1, dated March 25, 2019).
- “Recommended Practices for Structural FEA validation properties (v 0.7)
For the test round 5S, the assignment of validation properties is mainly focused on “load case level validation properties”.

These documents can be found either in the public area of the CAx-IF website under “Joint Testing Information” or in the member area of the CAx-IF website under “Information on round 5S of testing”.

The AP 209 schema to be used is a corrected version of the AP 209 ed2 schema, which can be found in the member area of the CAx-IF website, under “**Information on Round 5S** of Testing”.

2.4.3 Testing Instructions

The tests will be performed based on the ATS4m5 NASTRAN model described below. This model has been developed by the LOTAR EAS Working Group, and has been checked during previous pilot studies.

2.4.3.1 Test Model Overview

The ATS4m5 model represents a beam (rectangular prism) idealized using “solid” elements (mix of 4-noded tetrahedral, 6-noded pentahedral and 8-noded hexahedral elements), with the following characteristics:

- Isotropic material property
- 3 load cases:
 1. axial distributed load in compressive (-x) direction
 2. lateral distributed load in bending (-y) direction
 3. combination of 1 + 2

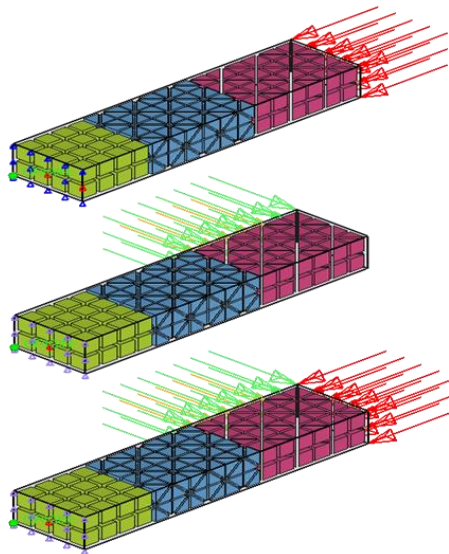


Figure 7: ATS4 model overview

2.4.3.2 Test Model Access.

The original NASTRAN files can be downloaded from the member area of the CAx-IF homepages under “General Information – File repository” in the folder “CAE / ATSx simple test suite”:

- ATS4m5.bdf (input data)

2.4.3.3 Test Model Configuration

- See section 2.1.3.3 above.

2.4.4 Statistics

For each STEP file exported or imported for the ATS4 test case, participants must submit the corresponding statistics. To do so, go to the [ATS4 Data Sheet], and either fill in the web form, or upload a comma-delimited file (.csv) with the data as listed below.

Native Statistics

When exporting a STEP file, report what data importing systems should expect to find. For numeric statistics, enter the respective value or 'na' if not supported. For other statistics, select either 'full support' (i.e. test case and Rec. Pracs. definitions are fulfilled), 'limited support' (meaning the implementation does not meet all criteria and issues may be expected on import), or 'na' if not supported.

Target Statistics

When importing a file, report the results found after processing the file as described in the table below. The value should be given in the unit implicitly defined in the native model.

Load Cases Selection

Some of the statistics for this test case are load case-related (fixed DOF, applied force, applied moment). When statistics depend on the load case and/or node selection, the item(s) to be considered is indicated in the following table:

| Statistic | Case 'A' | Case 'B' |
|---------------|-------------|-------------|
| Fixed DOF nb | Loadcase #1 | Loadcase #3 |
| Applied force | Loadcase #1 | Loadcase #3 |

| | | |
|----------------|---|---|
| Applied moment | Loadcase #1 Reference point : free (*) | Loadcase #3 Reference point : free (*) |
|----------------|---|---|

(*) As stated in the “Recommended practices for FEA VP” document :

“The position of this reference point is free, but should be specified in order to keep the resultant value in a reasonable range. This is why this reference point is not chosen necessarily as the origin of the basic coordinate system. One of the centroid points or the corner points of the FEA bounding box could be a good position for evaluating the resultant moment.”

During the export process, each participant will choose freely the reference point for computing the resultant moment of the applied forces, this point as well as the resultant will be assigned in the validation property, and in the CAESAR system as native statistics.

During the import process, each participant should recover the reference point from the validation property capability, assign it as *target statistics* in CAESAR, then recalculate the resultant moment (relatively to this reference point) and assign it in the corresponding *target statistic* in CAESAR. The resultant moment values recovered from the validation property capability should be assigned in the corresponding *target validation statistic*. This value will be compared to the recalculated value of the resultant moment to assess the success of the exchange.

Applicable Units and Coordinate system

The model is based on imperial units (in, lbf).

Components of any point (such as Center of Gravity) or vector (such as resultant of applied loads) should be calculated in the basic coordinate system.

Screenshots(optional)

Note that CASEAR allows the addition of multiple screenshots per dataset.

Data Sheet Columns

| column name | description |
|-------------------------------|---|
| model | The name of the test model, here 'ATS4' |
| system_n | The system code of the CAE system creating the STEP file |
| system_t | The system code of the CAE system importing the STEP file. For native stats, select 'stp' |
| unit | The unit the model is designed in |
| fea_bbox_minx | The (min X, min Y, min Z) corner point of the Bounding Box relative to the grid points |
| fea_bbox_miny | |
| fea_bbox_minz | |
| validation_fea_bb_minx | FEA BBox Min Point as received via the validation property capability |
| validation_fea_bb_miny | |
| validation_fea_bb_minz | |
| fea_bbox_maxx | The (max X, max Y, max Z) corner point of the Bounding Box relative to the grid points |
| fea_bbox_maxy | |
| fea_bbox_maxz | |
| validation_fea_bb_maxx | FEA BBox Max Point as received via the validation property capability |
| validation_fea_bb_maxy | |
| validation_fea_bb_maxz | |
| total_mass | Total mass of the model. The value shall be given in the unit implicitly defined in the native model. |
| validation_total_mass | Total Mass as received via the validation property capability |
| loadcases_nb | Number of different load cases |
| validation_loads_nb | Number of Load Cases as received via the validation property capability |
| fixed_dof_nb_a | Total number of fixed Degrees of freedom (DOF) - case A |
| validation_fixed_dof_a | Fixed Deg. of freedom -A as received via the validation property capability |
| fixed_dof_nb_b | Total number of fixed Degrees of freedom (DOF) - case B |

| | |
|-------------------------------|---|
| validation_fixed_dof_b | Fixed Deg. of freedom -B as received via the validation property capability |
| applied_force_x | Resultant of applied forces -- case 'A' |
| applied_force_y | |
| applied_force_z | |
| validation_force_ax | Applied Force A as received via the validation property capability |
| validation_force_ay | |
| validation_force_az | |
| applied_force_bx | Resultant of applied forces -- case 'B' |
| applied_force_by | |
| applied_force_bz | |
| validation_force_bx | Applied Force B as received via the validation property capability |
| validation_force_by | |
| validation_force_bz | |
| ref_pt_mom_ax | Reference point as assigned for / as received from / the Validation Property Moment of applied forces -- case 'A' |
| ref_pt_mom_ay | |
| ref_pt_mom_az | |
| applied_moment_x | Resultant moment at a reference point of total applied forces -- case 'A' |
| applied_moment_y | |
| applied_moment_z | |
| validation_moment_ax | Applied Moment A as received via the validation property capability |
| validation_moment_ay | |
| validation_moment_az | |
| ref_pt_mom_bx | Reference point as assigned for / as received from / the Validation Property Moment of applied forces -- case 'B' |
| ref_pt_mom_by | |
| ref_pt_mom_bz | |
| applied_moment_bx | Resultant moment at a reference point of total applied forces -- case 'B' |
| applied_moment_by | |
| applied_moment_bz | |
| validation_moment_bx | Applied Moment B as received via the validation property capability |
| validation_moment_by | |
| validation_moment_bz | |
| date | The date when the statistics were last updated (will be filled in automatically) |
| issues | A short statement on issues with the file |